



DAWNco

Reasonable prices, priceless reasoning.

#ACT3600-REEDA

36 inch range of extension, linear ball screw actuator



36" Ball Screw actuator with integrated DC Motor
Move satellite antenna with maximum 1500 pound thrust
Reed sensor is included for feedback to the position controller.

- “User Friendly” easy to install design Rugged steel tube construction
- 5 pitch ball screw 1500 lb. capacity
- Tube and gearbox easily taken apart for installation and service with simple tools
- Interchanges with virtually all other actuators in the field today
- Black E-coated outer tube and plated inner tube for superior corrosion protection
- Plastic Pilot guide prevents metal to metal contact between the tubes
- Forged steel end mount design with swivel and built in standoffs for 1/2” bolt mounting.
- Easy to install split clamp assembly for 1/2” bolt mounting
- Mounting bolt kit included
- Limit switches with single screw adjustment
- Water drains and vents throughout for freeze protection
- KU or C band compatible
- 36/24vdc motor
- 5amps @1500 lbs @ 36vdc

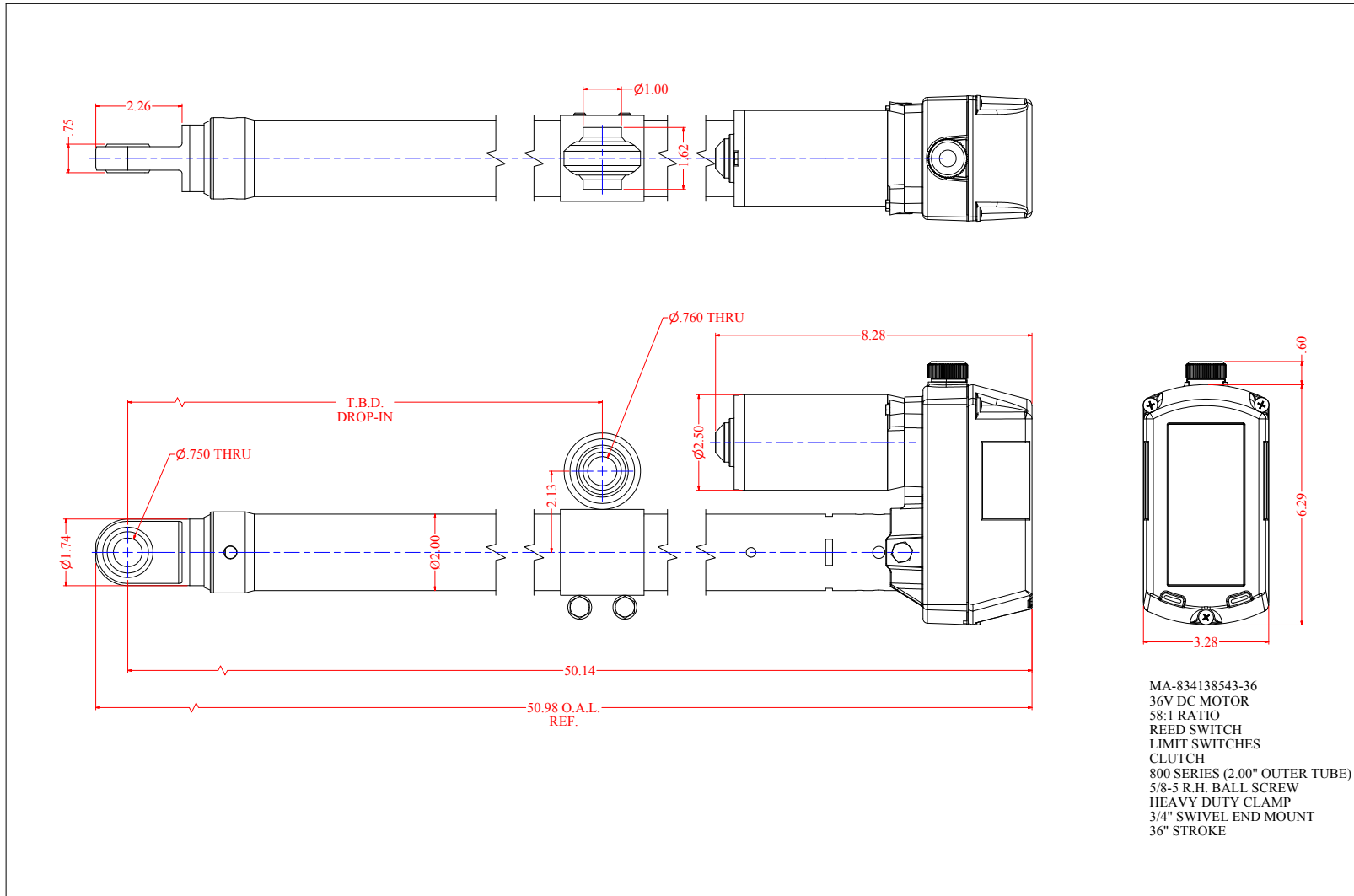


DAWNco

Reasonable prices, priceless reasoning.

Model No: ACT3600-REEDA

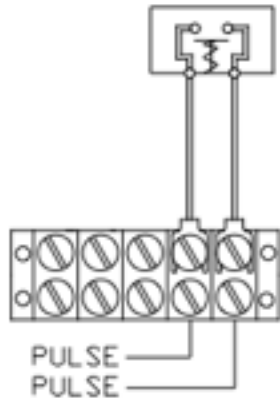
Linear ball screw actuator arm and motor
used to move satellite antennas into proper alignment



SENSOR OPTIONS

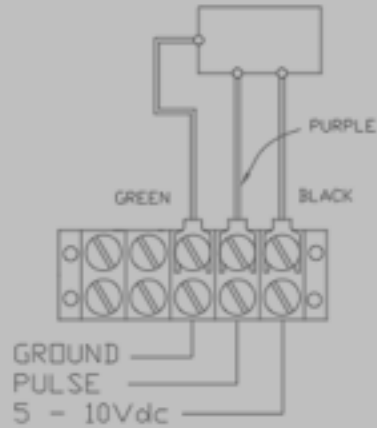
Standard Sensor Type

REED SWITCH



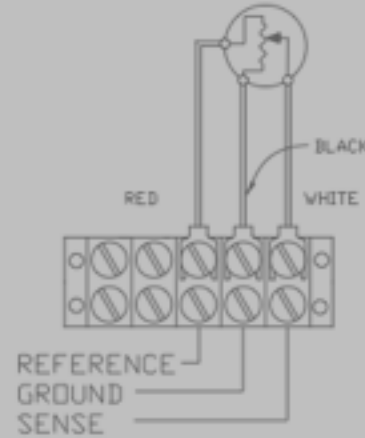
Special Order Optional Sensor Types

HALL EFFECT

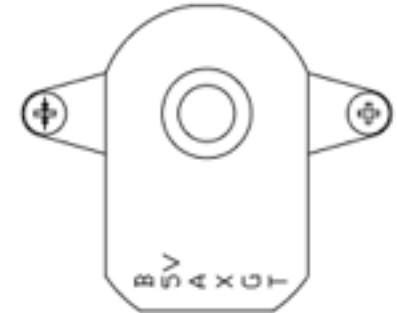


POT RESISTANCE RETRACTED:
RED TO WHITE - MAXIMUM
BLACK TO WHITE - MINIMUM

POTENTIOMETER

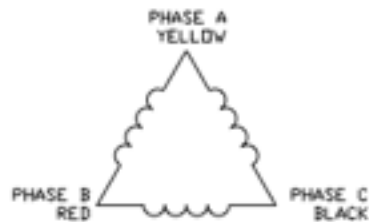


ENCODER
AMT 102-V
Supplied with
Cable CUI-3132-1FT



B = B CHANNEL
5V = +5vdc POWER
A = A CHANNEL
X = INDEX OUTPUT
G = GROUND
T = UNUSED

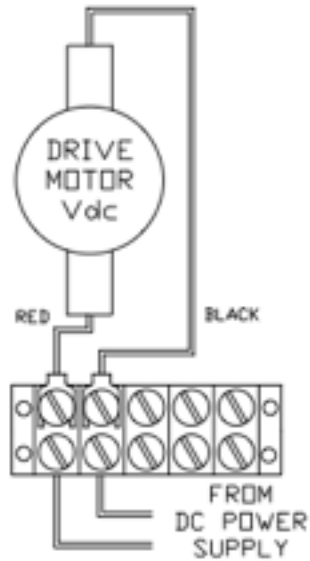
BRUSHLESS MOTOR WIRING



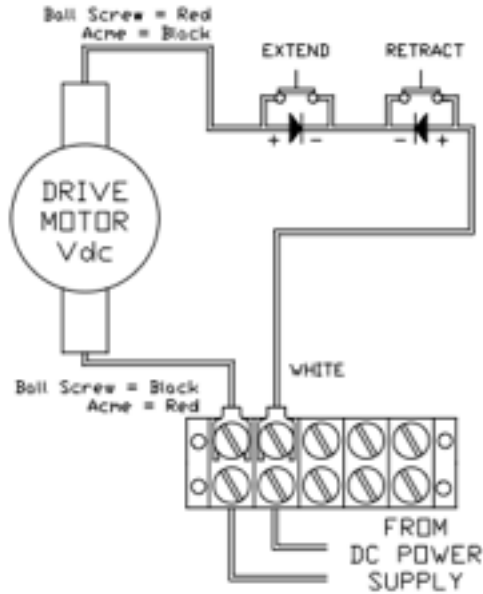
***NOTE:** WHEN TWO WIRES OF SAME COLOR ARE AVAILABLE USE LARGER AWG WIRE FOR MOTOR

BLDC WIRING	
Wire Color	Description
*RED	HALL+vdc
BLUE	HALL A
GREEN	HALL B
WHITE	HALL C
*BLACK	HALL-vdc
YELLOW	PHASE A
*RED	PHASE B
*BLACK	PHASE C

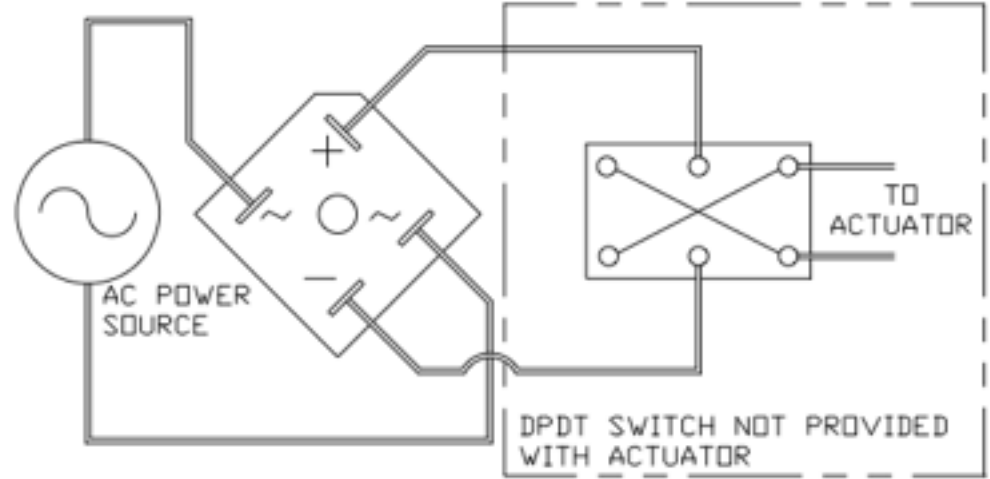
W/O LIMIT SWITCH



WITH LIMIT SWITCH



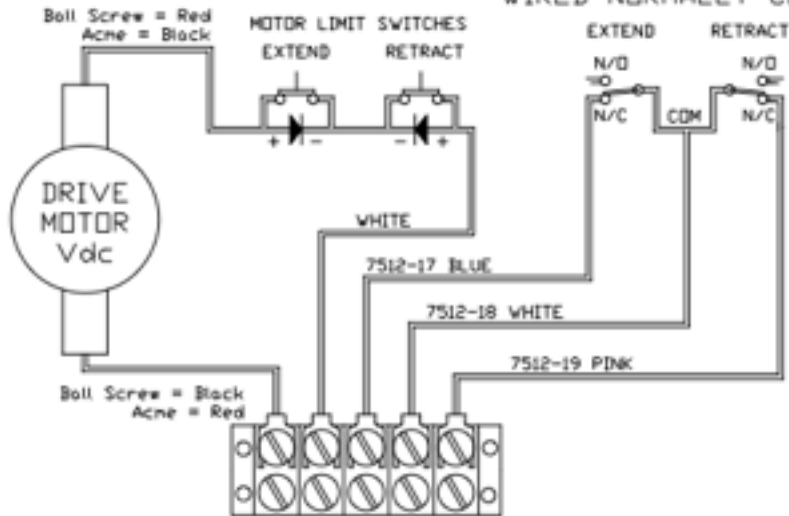
110Vac RECTIFIER



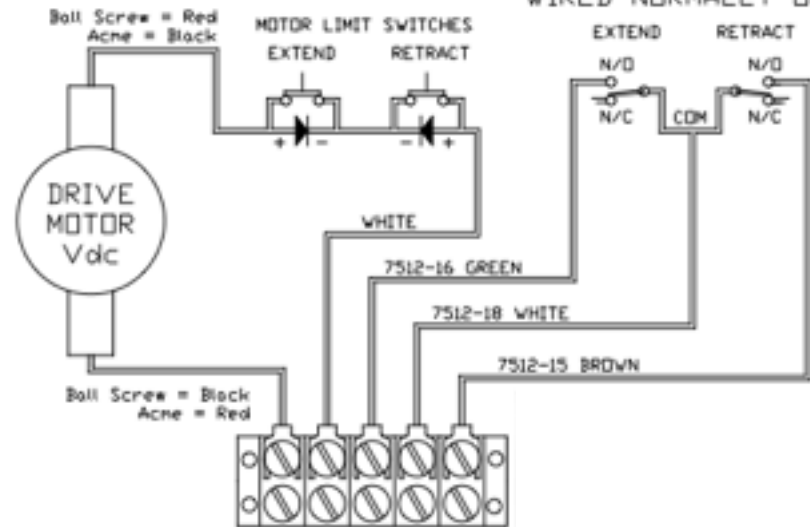
BALL SCREW ACTUATOR ~ RED MOTOR LEAD (+) = EXTEND
 ACME SCREW ACTUATOR ~ BLACK MOTOR LEAD (+) = EXTEND

LIMIT SWITCHES WITH CONTROL SWITCHES

CONTROL SWITCHES WIRED NORMALLY CLOSED



CONTROL SWITCHES WIRED NORMALLY OPEN



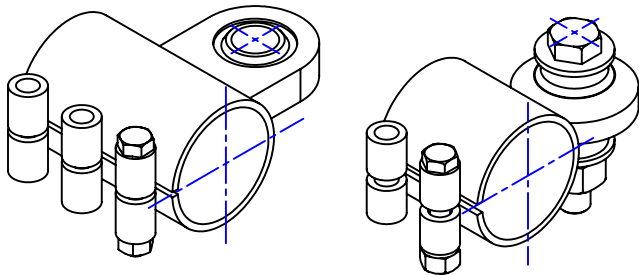
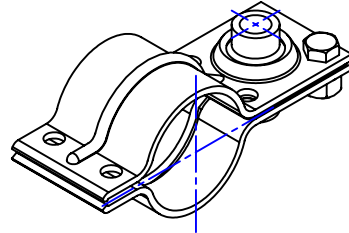
CLAMPING OPTIONS

(One or more of these may be included in this box)

Note that over-tightening of clamp may deform tube, cause binding of actuator and void the warranty

Standard Tube Mounting Clamp

- Position clamp onto tube.
- Tighten (4) bolts around clamp ball swivel until all loose motion is removed. **Do not over-tighten.** Clamp should be able to swivel smoothly.
- Tighten the (2) outside bolts on the clamp to 140 in-lbs max.



Heavy Duty Tube Mounting

- Position clamp onto tube.
- Tighten bolts uniformly to 125 in-lbs max. **Do not over-tighten.** Overtightening will deform actuator tube.

In-Line Bracket

- Position bracket halves around tube and gearbox.
- Tighten (4) bolts around tube end of bracket to 140 in-lbs max.

